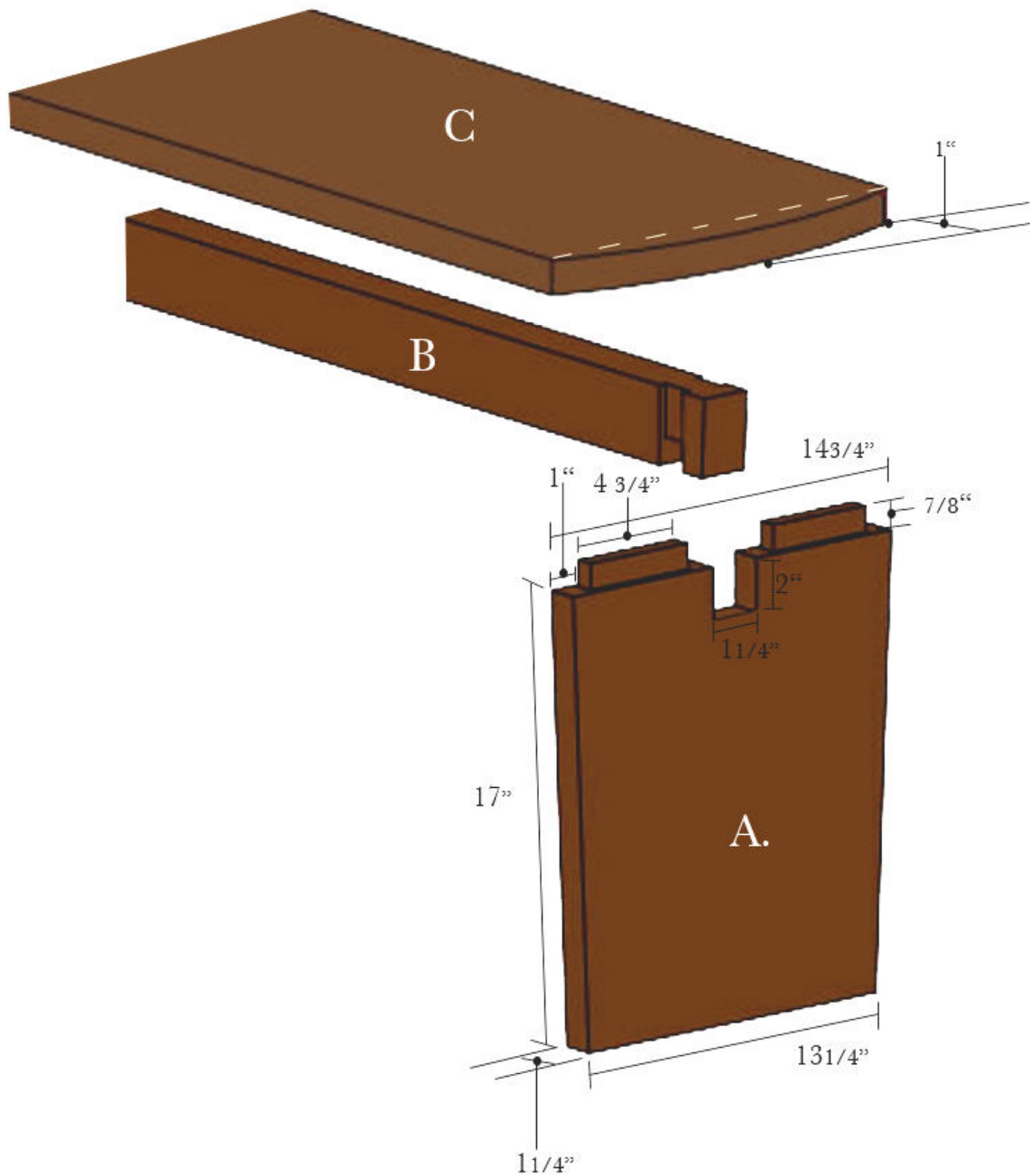
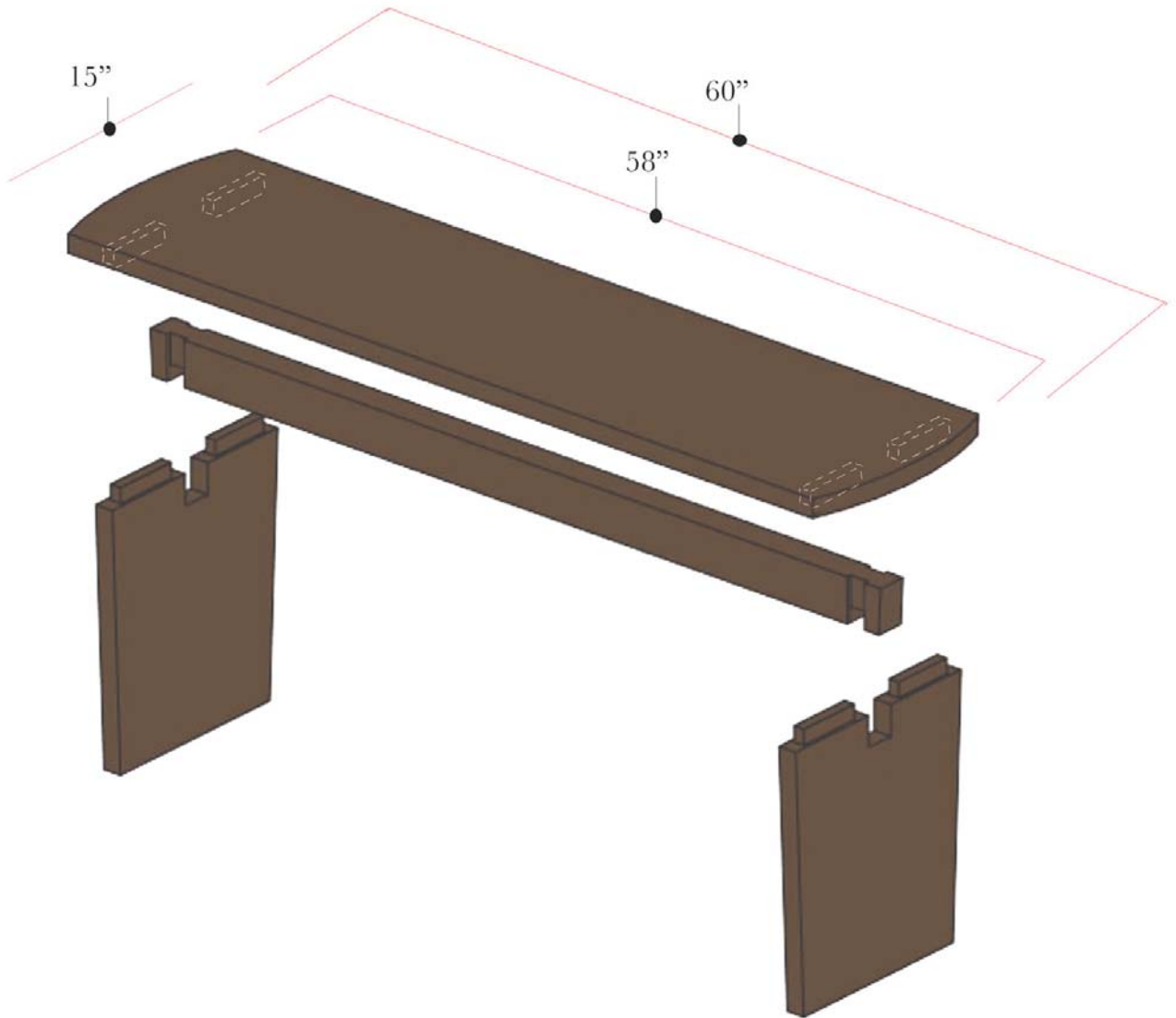
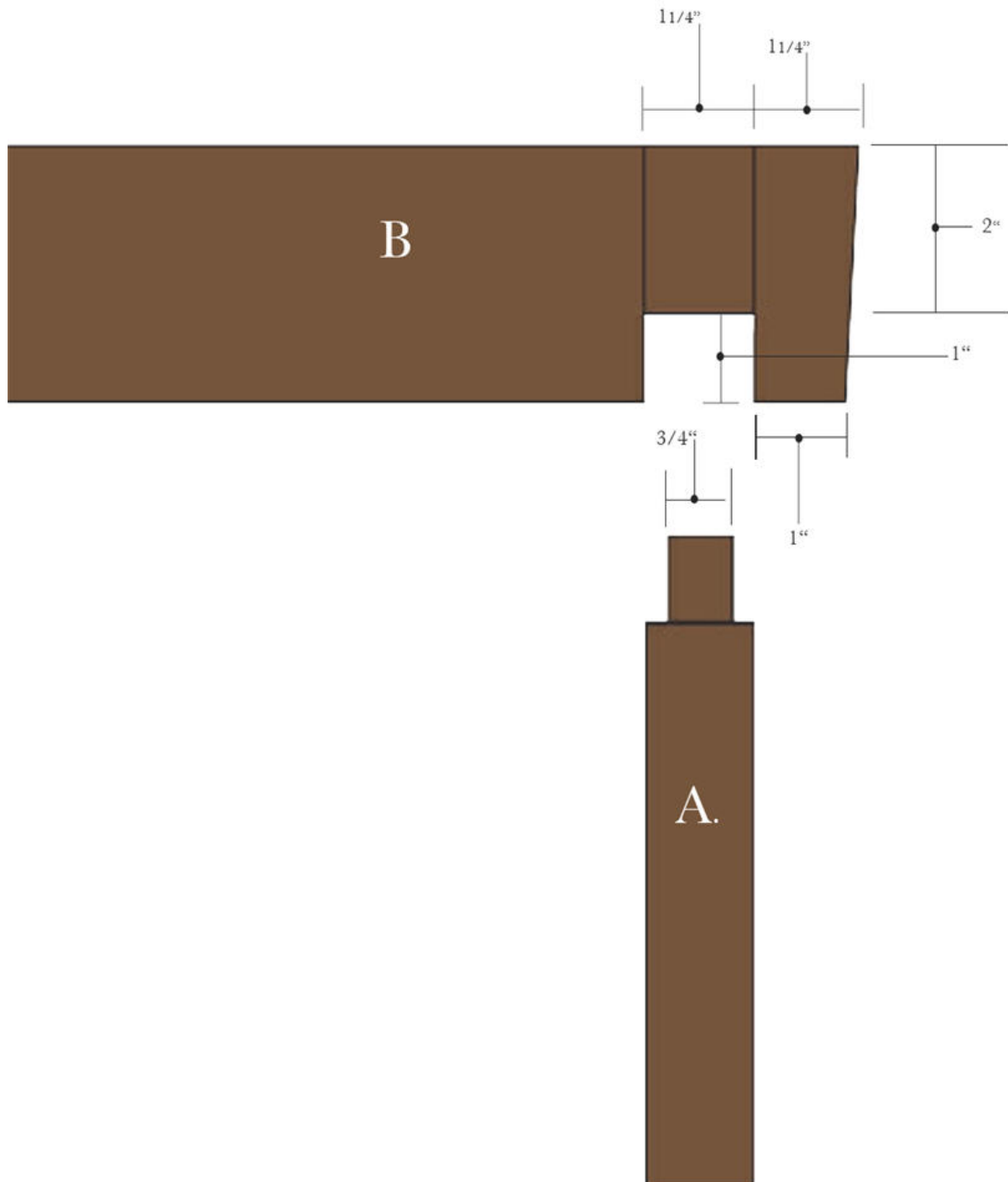
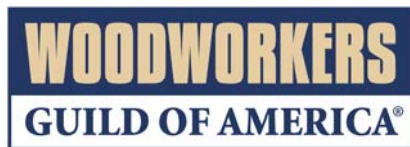


Slab Top Bench Plan









Cutting List

Part	Qty	Material	Rough Dimension
A Leg	2	Walnut	1-1/4" x 15" x 17-7/8"
B Stretcher	1	Walnut	2" x 3" x 56"
C Top	1	Walnut	1-1/4" x 15" x 60"

Visit **WoodWorkers Guild of America** (www.WWGOA.com) the leading destination for woodworking video clips, tips and techniques.